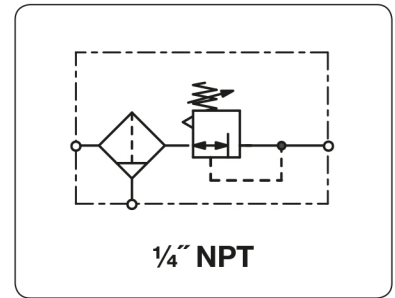


Description	Filter pressure regulator especially for low temperatures as well as supply of instruments.
Media	compressed air or non-corrosive gases
Supply pressure	max. 17 bar
Supply sensitivity	10 mbar outlet pressure deviation at supply pressure variation of 1 bar
Air consumption	max 2 l/min subject to outlet pressure
Adjustment	by square-headed spindle (spanner size 8 mm) with locknut
Relieving function	relieving, optionally non-relieving
Gauge port	1/4" NPT on one side of the body, one screw plug supplied
Filter element	40 µm, optionally 5 µm, made of impregnated cellulose
Drainage	manual drain
Temperature range	0 °C to 50 °C / 32 °F to 122 °F, for appropriately conditioned compressed air down to -40 °C / -40 °F
Material	Body: aluminium die-cast Spring cage: aluminium die-cast Elastomer: nylon-reinforced NBR/Buna-N, optionally FKM Inner valve: brass, acetal, galvanised steel



Dimensions			Bowl	Flow	P ₁	Connection	Pressure	Order
A	B	C	Design	Capacity	rate	max. thread	range	number
mm	mm	mm	made of	l	m ³ /h*1	l/min*1	bar	

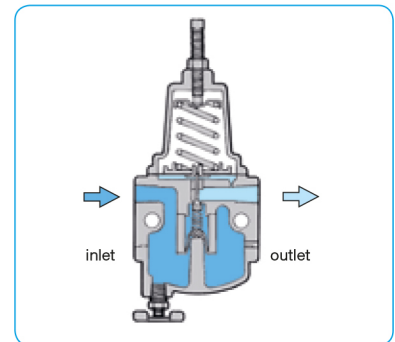
Filter pressure regulator									with manual drain, relieving, without gauge, 40 µm filter element		B300
197	80	83	metal	0.1	33	550	17	1/4" NPT	0...0.7	B300-020	
									0...2.0	B300-02A	
									0...4.0	B300-02B	
									0...8.0	B300-02C	



B300

Special options, add the appropriate letter

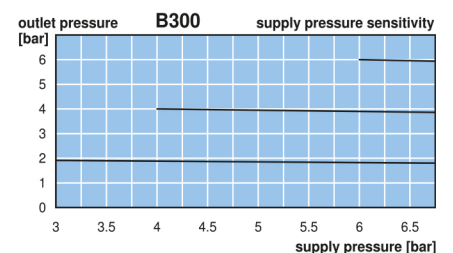
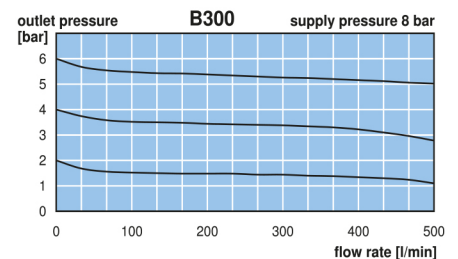
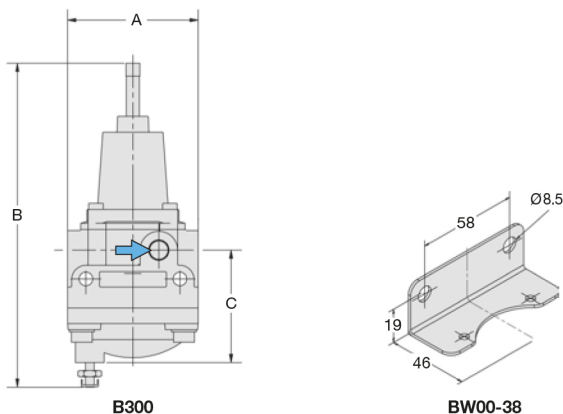
5 µm filter element		B300-02 . G
non-relieving	without relieving function	B300-02 . K
tapped exhaust	1/4" NPT	B300-02 . X12
tamper-proof cap		B300-02 . T
FKM-elastomer		B300-02 . V



Accessories, enclosed

mounting bracket	mounting at spring cage, made of steel	BW00-38
-------------------------	--	----------------

Filter regulator
17



*1 at 8 bar supply pressure, 6 bar outlet pressure and 1 bar pressure drop

Extensions: see chapter for FRL service units
Spare parts: see separate spare parts list

PDF CAD
www.aircom.net



Order example:
B300-020